

## activPilot Select

The fully concealed turn-tilt fitting.



in  
windows



## The invisible turn-tilt fitting for the most exacting of requirements.

**Discover the world of window innovations: the fully concealed turn-tilt fitting for attractive design that can bear a sash weight of up to 150 kg. A fitting easy to install thanks to its intelligent modular construction which can easily be adjusted to changing requirements at any time.**

### **The easy solution for heavy windows.**

activPilot Select opens up a new world of opportunities to manufacturers of window and building components as well as for architects. Sashes with a weight of up to 150 kg and an area of 3 m<sup>2</sup> are easy to handle with this innovative turn-tilt fitting. activPilot Select thus fulfils modern architectural requirements in new buildings and restoration work. This is also true of energy efficiency. Even large sash areas with triple glazing can easily be implemented.

activPilot Select is a fully concealed turn-tilt fitting. The window design is not spoiled by visible bearing pieces. The intelligent, modular system reduces the number of components and thus the installation work. Large air gap tolerances of 10.8 to 14 mm additionally facilitate installation. The standard activPilot Select model will bear up to 100 kg – this alone is unique on the market. On top of this, you can always retrofit add-on functionality from the activPilot program.

**All fitting elements are fully concealed with activPilot Select. For perfect looks and functionality. Multiple patents. Simply beautiful.**

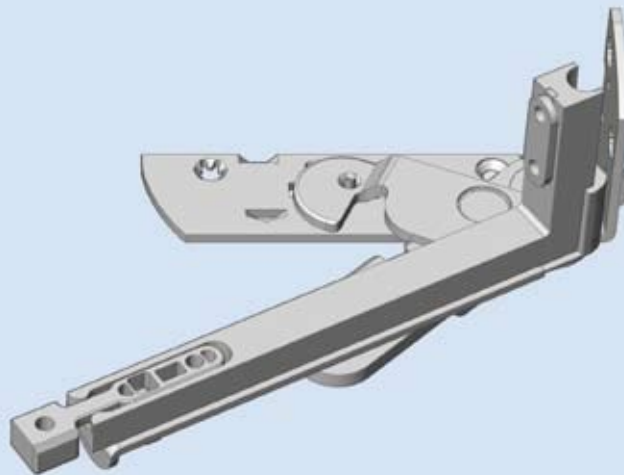


## Innovative technology adding hidden strength:

---



**01 One for all:** The Winkhaus shear can be used for any size of window. It is extremely stable and works very effectively. The window can be manoeuvred into the right position easily and conveniently.



**02 Complex technology on a small footprint:** excellent air gap tolerance due to the low height of the shear, corner hinge and sash hinge. 3D adjustment is possible without special tools; there is no need to loosen fitting screws.

---

The activPilot Select system packs sophisticated functionality into the smallest of construction spaces. This allows for “invisible” integration of fittings. The sophisticated fitting design reduces wear and tear, thus ensuring a long service life. No need to mill the sash or frame when mounting activPilot Select fittings into PVC windows.



01

02

## Elegant strength – up to 150 kg sash weight.

### A weighty argument for heavy windows: activPilot Select patented several times.

Large window areas for light-flooded rooms are characteristic of modern architecture. This means heavy sashes – especially where heat and noise insulating triple glazing is chosen.

The standard activPilot Select turn-tilt fitting is designed for a sash weight of 100 kg. Two add-on modules are all it takes to boost the bearing capacity to 150 kg at a later stage. Unique technology by Winkhaus. activPilot Select enables you to implement window areas of up to 3 m<sup>2</sup> per sash.

The special design principle guarantees minimal wear and tear, despite heavy load, thus ensuring a high durability. Many years of experience with the tried-and-trusted predecessor range, autoPilot Elegance, have flown into the development of activPilot Select: mature Winkhaus technology you can rely on.

The activPilot Select system has demonstrated its excellent stability and long service life in comprehensive test series. Many of activPilot Select's new design features are patented and exclusively available from Winkhaus.

---

### Winkhaus Plus

---

- + Fully concealed turn-tilt fitting without visible bearing pieces
  - + Suitable for sash weights of up to 150 kg and sash areas of up to 3 m<sup>2</sup>
  - + Technology with multiple patents
  - + Stability and high durability demonstrated in test series
  - + Certified according to DIN EN 13126-8
- 

The fully concealed activPilot Select meets highest demands regarding design and comfort. The illustration shows a combined corner/sash hinge.



With just two add-on components – a sash hinge rail and adapter plate – you can increase the load bearing capacity from 100 kg to up to 150 kg.



# Pure design for demanding architecture.

### Less is more attractive.

activPilot Select allows you to design your windows attractively. The window design is not impaired by visible bearing pieces because they are integrated in the rebate. The ideal solution for the demanding aesthetic requirements of modern building concepts. activPilot Select gives you the ability to implement timelessly beautiful designs, not only in new buildings, but also in renovation and restoration work. This helps to keep the original looks of old buildings. A major advantage of buildings listed for preservation.

Colour deviations between the window frame and external fitting elements? activPilot Select solves this problem by giving you a free choice of colours for the window sash and frame.

### Comfort and care.

The wide opening angle of over 95° means that windows fitted with activPilot Select offer a high level of convenience. No external bearing elements must be cleaned; and this makes care very simple. Even years later, activPilot Select will continue to enthrall the viewer with its plain, perfect elegance.

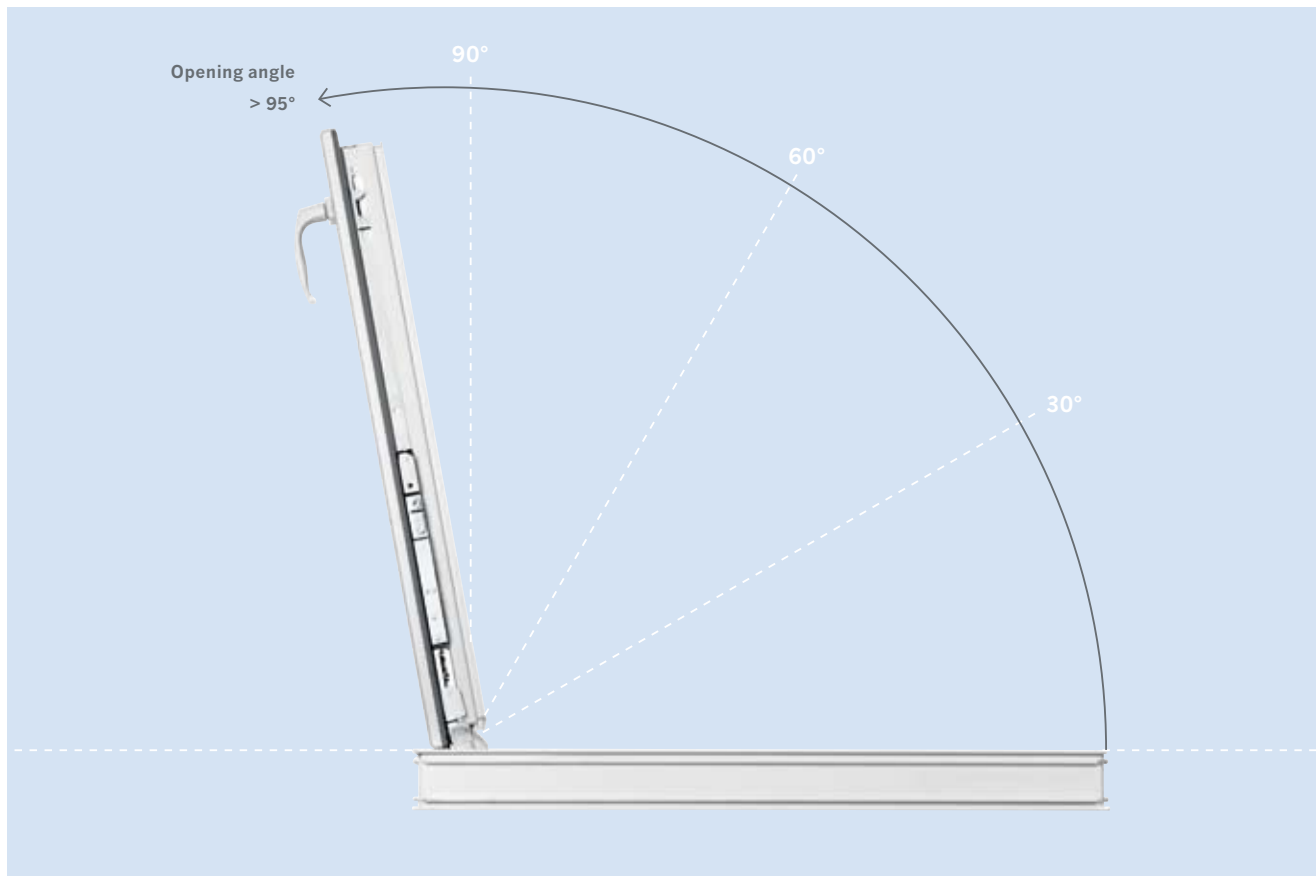
---

### Winkhaus Plus

---

- + Aesthetic, timeless windows thanks to “invisible” fittings
  - + Ideal for modern architectural concepts in new buildings, renovation and restoration work
  - + Free choice of colours for sash and frame
- 

**Another benefit: Thanks to activPilot Select you can open sashes up to an angle of more than 95°.**



## Flexible configuration – quick installation.

### Less effort, more safety.

activPilot Select's user-friendly design offers window builders vastly simplified and accelerated installation and adjustment of the fittings. No need for special drilling or complicated milling when producing PVC windows. Locking points can be moved right into the corners – for more stability and safety. Fittings are quickly and easily installed; no need for special tools. Minimal effort – and this includes work on site: Sashes are easily fitted and, depending on the sash weight, can be fitted by a single qualified employee.

activPilot Select's flat shear package supports air gap tolerances between 10.8 and 14 mm. Height and side adjustment is easy and can be performed without special tools on the sash hinge. The contact pressure is adjustable via the corner hinge.

The modular system was designed with care to reduce the number of components and thus the amount of work at every stage. Fittings can be flexibly adjusted to the customer's individual requirements. And extensions at a later stage are easily done, such as increasing the load bearing capacity from 100 kg to max. 150 kg. Two easily retrofittable add-on components are all you need.

---

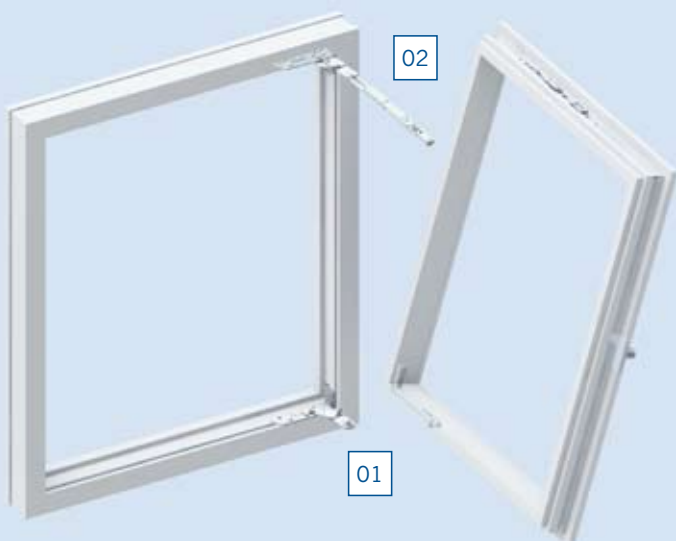
### Winkhaus Plus

---

- + Intelligent, modular design supports individual system configuration and easy retrofitting
  - + Quick installation thanks to few components and greater air gap tolerances
  - + Easy mounting, rapid adjustment without special tools
- 

Even large sashes can be installed in just a couple of steps – in most cases by a single worker without any help.

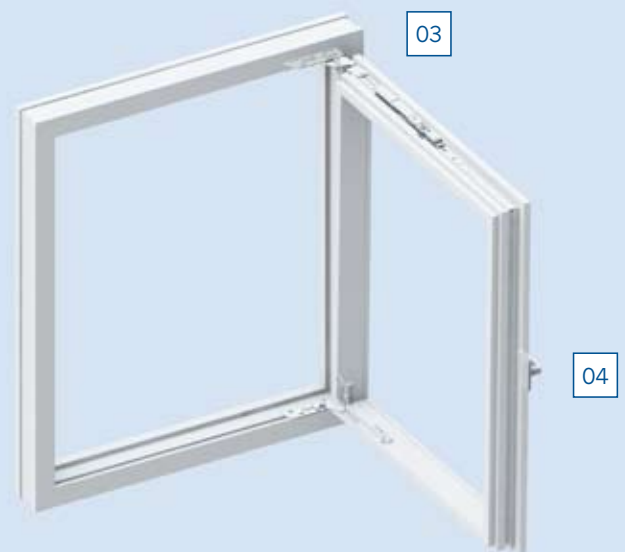
#### Phase 1



01. Slot the sash hinge into the corner hinge.

02. Push the upper sash part towards the shear.

#### Phase 2



03. Slot the shear into the top rod.

04. Close the window.



# activPilot – the intelligent modular system.

## Tailor-made functionality – adaptable at any time.

activPilot Select is a variant of the Winkhaus activPilot system of fittings. The activPilot product range includes specific solution models for a variety of window design requirements, including models with innovative, integrated locking sensors. The activPilot system of fittings is modular. All components used in the system are compatible. This means that any activPilot fitting can be retrofitted with value-added functions at any time. The system’s locking bolts are generally burglary-resistant, WK security approved. All keeps are suitable for right/left-handed use. A solution full of potential for any requirement.

## Winkhaus – technology setting standards.

For decades, Winkhaus has been a leading specialist for premium-quality door and window fittings. Motivated and inventive product development has led to numerous innovations and patents. For example, the first fully concealed window fitting was made by Winkhaus, and it has been a successful model for more than 20 years. What was a technical revolution at the time, is the industry standard today. The activPilot fitting system sees Winkhaus once again setting new standards in window building technology. An abundance of benefits and unique combinations – activPilot Select now brings this standard to heavy, large-area windows.

---

### Winkhaus Plus

---

#### For the window builder

- + Quick and easy assembly of fittings; less components than with conventional systems
- + Large air gap tolerances and thus more functional safety even in case of temperature fluctuations
- + Sashes can be mounted by a single person without help
- + Height and side adjustment without special tools; easy adjustment of contact pressure

#### For the fitting and building component dealer

- + Modular system with a small number of components, all variants and add-on modules compatible
- + Large air gap tolerances and thus more functional safety even in case of temperature fluctuations
- + Unique product with unique technical selling points
- + Boosts your competitiveness

#### For planners, fitters, users

- + Aesthetic window design without visible fitting elements – even for large and heavy window areas
- + High level of functional safety as air gap fluctuations can be compensated and thus alterations of the window element can be tolerated
- + Extensible system which can be adjusted to changing requirements
- + Stable, durable quality

**Aug. Winkhaus GmbH & Co. KG**

August-Winkhaus-Straße 31

D-48291 Telgte

T +49 (0) 25 04-921-0

F +49 (0) 25 04-921-340

[www.winkhaus.de](http://www.winkhaus.de)

[fenstertechnik@winkhaus.de](mailto:fenstertechnik@winkhaus.de)

